

INSTRUCTIONS MANUAL

I. INTRODUCTION _____ PAGE 1

II. DESCRIPTION _____ PAGE 2

III. ASSEMBLY _____ PAGE 3

IV. ALKALINE BATTERIES, BATTERY LIFE, BATTERY LOW
ALERT _____ PAGE 4

V. CONTROLS _____ PAGE 5

VI. DETECTING TECHNIQUES _____ PAGE 6

VII. TROUBLE SHOOTING PROBLEMS _____ PAGE 7

VIII. CARE INSTRUCTIONS _____ PAGE 8

IX. ADVICE TO DETECTORISTS _____ PAGE 9

X. SPECIFICATIONS _____ PAGE 10

XI. XP ACCESSORIES _____ PAGE 11

WARRANTY CONDITIONS

I. INTRODUCTION

CONGRATULATIONS ON PURCHASING AN XP METAL DETECTOR

You have invested in a high tech detector with extreme performance, designed and developed in France. Therefore, you are taking part in the development of research in the field of metal detecting undertaken by our Company, we thank you for that.

ADX100 is a clever combination of analog/digital technology and benefits from the latest advances in the field. Our knowledge of that technology has led us to include a microprocessor, analysing discrimination signals. This microprocessor, faster for discrimination signal analysis, gives the **ADX100 an increased power and stability, as well as a better rejection of unwanted targets.** The simplicity of the discrimination adjustment will allow you to adjust it to the ground you wish to detect. **Our high sensitivity "double D" search coils,** provide very good ground penetration.

The **ADX100** functions were simplified to the maximum in order to give to the beginners an easy access and a great ease of use, while profiting from optimal performances.

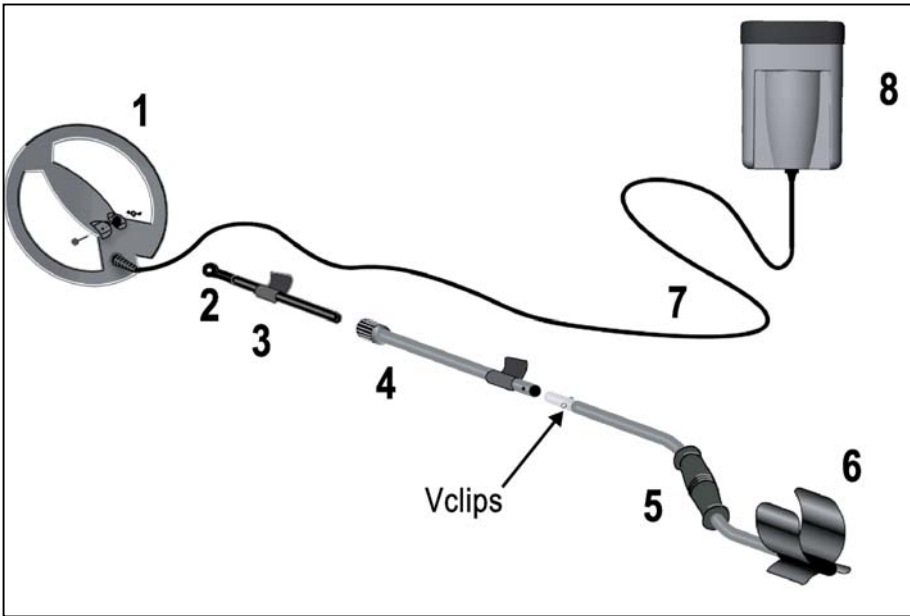
You will appreciate the sturdiness and the manufacturing quality of our equipment. Because a metal detector is generally used in extreme conditions, we have given full attention to the most sensitive parts. **ADX100** is been developed and manufactured with quality components and material, thus ensuring your XP detector a maximum useful life.

- **Impact resistant polypropylene armrest.**
- **Strong Cable,** designed to resist movement failures.
- **Robust, waterproof search coil.**
- **3 piece stem**
- **Fibreglass lower stem**



Before using your detector for the first time, we recommend that you read this instruction manual carefully in order to make full use of its abilities.

II. DESCRIPTION



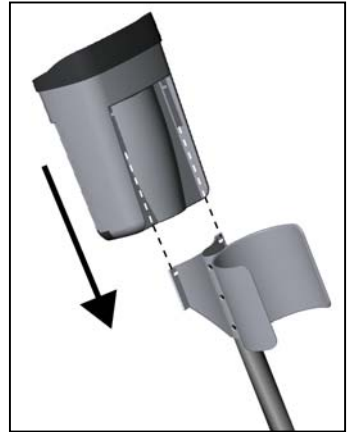
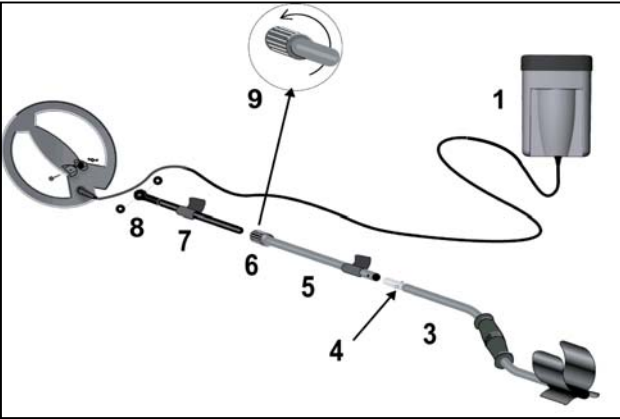
- 1 - Robust, waterproof search coil. Diameter 22.5 cm, provided with coil cover
- 2 - High impact plastic end
- 3 - Fibreglass Lower stem
- 4 - Twist lock
- 5 - Comfortable foam handle
- 6 - Impact resistant polypropylene armrest
- 7 - Strong Cable designed to resist movement failures.
- 8 - ABS electronics box. The box is worn under the armrest thanks to mounts specially designed for that purpose.

III. ASSEMBLY

The assembly of your detector will only take you a few seconds.

Put the shaft together as shown on the diagram.

1. Press the 2 shafts (3) and (5) one towards the other to help the spring clips (4) locate themselves.
2. The twist lock (6) is used to stop any movement of the fibre glass stem in the aluminium shaft (5). Release it before inserting the fibreglass stem and then lock it without forcing too much as shown on the diagram 9 once it is inserted at the right length.
3. Put the 2 rubber washers on each side of the plastic end (8). To facilitate the insertion you can wet the rubber washers. Insert the plastic end on the search head and screw the nylon bolt through, finally adding the nylon nut.

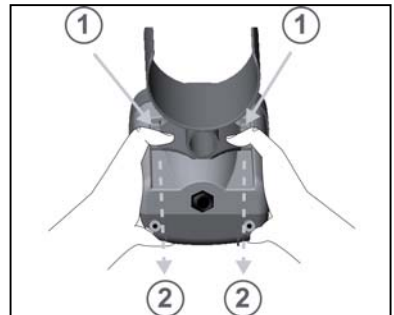


4. Wind the cable around the shaft.
5. The electronic box (1) goes under the armrest. To fix it, insert the 2 wings of the armrest in the slides of the electronic control unit, as indicated on the diagram above.

Disassembling

To remove the control box from the armrest, proceed as indicated below.

1. Put your hands around the control box and press slightly with your thumbs on the sides of the armrest ①.
2. Whilst you keep pressure with your thumbs slip the armrest down and remove the control box from the armrest ②.



IV. ALKALINE BATTERY, BATTERY LIFE, BATTERY LOW ALERT

ALKALINE BATTERY

ADX100 is powered with 12 volts from 8 AA Alkaline batteries using 2 batteries holders, 4 batteries each.

Pay close attention to the batteries + - polarity before inserting the batteries holder in the electronic box. *The metallic rivets (3) of the battery holders must be on the right.* Screw the nuts 1 and 2 to close the battery lid.



In the event of nonprolonged use, remove the alkaline batteries from the detector.

BATTERY LIFE

Alkaline batteries : about 50 hours with headphones.

BATTERY LOW ALERT

When the alkaline batteries' voltage is too low, the detection "beep" of a metallic target radically changes, it becomes more high pitched.

From then, you only have a few detecting hours left, depending on the batteries you are using. This has the advantage of warning you in plenty of time about the low condition of the batteries without hindering you whilst searching.

V. CONTROLS

SENSITIVITY, POWER I/O

Turn the machine on with the **SENSITIVITY I/O** control.

You will hear some quick "beeps" which will tell you that the detector is correctly operating. Then you can detect.

Good luck !



The sensitivity level adjusts the detection depth and the stability of your detector. Adjust it according to the surroundings so that you won't be disturbed with false signals.



Avoid testing your detector inside your house or in shops because you can encounter a lot of metallic and electromagnetic pollution (reinforced concrete, fluorescent lights, metallic girder).

DISCRIMINATION

Discrimination allows you to mask some type of metal targets.

While turning the control, you can choose your level of discrimination according to your needs.

Switched to **All Metal** position, discrimination control is deactivated, your detector pick up all the targets, ferrous or not-ferrous. This position will enable you to better locate the ferrous targets.

From level **1**, you start to discriminate the ferrous targets.

Between level **6** and **10**, you can for example reject the small aluminium foil.

Set low levels of discrimination, which will enable you to find small targets more easily.

Before the first use of your detector, familiarise with metal test targets (Ferrous / Non-Ferrous).

A non-ferrous target will produce a deep, full sound which can be repeated at the same spot with each sweep. Most of the ferrous targets will be silent or might produce a choppy sound (short "pops" or "clicks") which can be easily recognised.

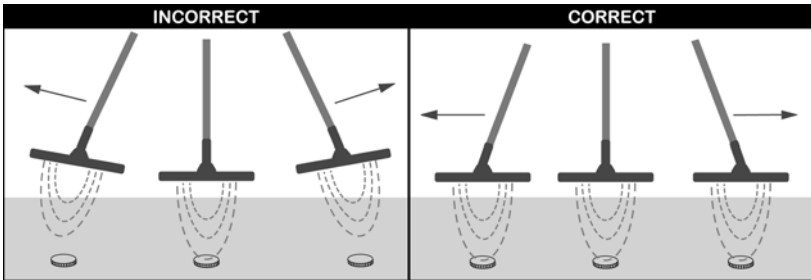


VI. DETECTING TECHNIQUES

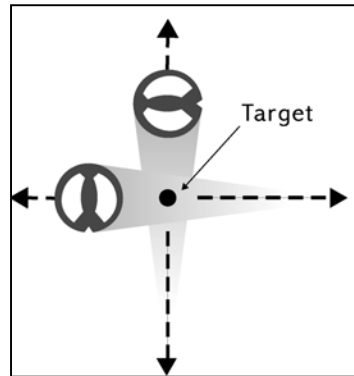
ADX100 is a motion detector, which means that metallic target detection can only be carried out when the search coil is moving.

When you detect an area it is important to sweep with the head as close as possible to the ground with wide movements, but not making contact with the ground.

Keep the head parallel to the ground following the relief as much as possible.



To pinpoint a target, use quick crossed sweeps, with the coil over the target taking note of where the strongest audio signal is received. The exact location of the target is under the centre line of the search coil from front to back and can then be determined by 'x'ing'.

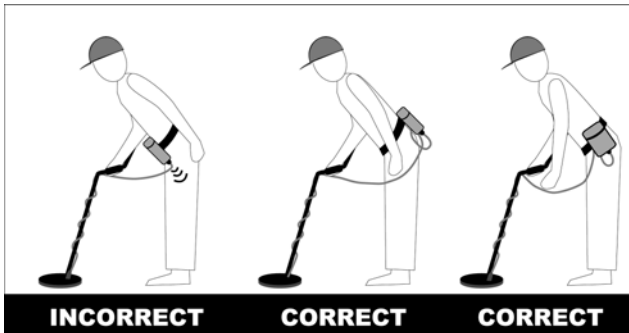


VII. CARE INSTRUCTIONS

Our detectors are designed to be as robust as possible. However, like any electronic precision instrument, they require some care.

The XP search coil cable has been designed so as to resist long term movement. However you should take some precautions and prolong the life of your detector :

- ⇒ It is important to leave enough slack at the bottom of the cable near the coil to allow for adjusting the coil angle without placing strain on the coil.
- ⇒ It is important not to replace the Velcro with tape as this will centre the movement on one single part of the cable.
- ⇒ when the box is hipmounted, put it on your side or on your back in order not to fold the cable of the connector when you lean forward. (Diagram 1)
- ⇒ when the box is hipmounted, to prevent strain on the cable, you should slide the cable through the hipmount bag belt strap. Diagram 2



Not adhering to these precautions will lead to long term damage of the cable and void the warranty due to user negligence.

- ⇒ *In the event of nonprolonged use, remove the alkaline batteries from your detector*
- ⇒ *Do not expose your detector to high temperatures.*

VIII. TROUBLE SHOOTING PROBLEMS

TROUBLE	CAUSES	SOLUTIONS
The sound changes its tone, it becomes more high pitched when encountering metallic targets .	⇒ Low batteries.	Change the batteries .
	⇒ Polarity of the batteries is wrong	Check if you have correctly inserted the batteries in each pack. One battery might be in the wrong position.
You can't switch on your detector.	⇒ Batteries are badly inserted or upside down.	Check the way the batteries have been inserted in the 2 batteries holder (refer to chapter IV)
	⇒ A 6.35 plug converter is inserted in the headphone plug.	Remove it.
	⇒ The loudspeaker is defective.	Plug in headphones to check.
You notice excessive false signals without reason	⇒ The sensitivity is too high	Lower it.
	⇒ Your headphone cable is defective.	Change the headphones.
	⇒ You are passing through an area with a lot of interference (high voltage cable, electrical transformer, electric fence).	Lower the SENSITIVITY or get away from this area.
	⇒ You are close to other metal detectors.	Move away or lower the SENSITIVITY .

If the problem persists, contact your retailer for advice.

IX. ADVICE TO DETECTORISTS

Detecting is an activity, which like other leisure activities requires some guiding principles. These few recommendations will allow you to fully enjoy it while respecting laws, environment and other people.

- *Enquire about and abide by the laws in force of the country or the state before searching. It is of your responsibility to know them and to abide by them.*
- *Always ask the permission of the land owners where you want to search.*
- *Have regard for the natural environment in which you are searching.*
 - *Don't forget to backfill all holes you dig.*



Avoid detecting in areas where battles took place during wartime.
Report any suspect object you might discover to the authorities.

X. SPECIFICATIONS

BATTERIES

8 AA Alkaline batteries

ELECTRONIC BOX

ABS box with watertightness rubber disk.

SEARCH COIL

Wide scan (Double D), Diameter : 9" (22.5cm) - Cable length : 2.35 m

SHAFT

In 3 parts which can be dismantled, Fibreglass lower stem.

LOUDSPEAKER

28 mm, 8 ohms, Weather resistant

HEADPHONES

Jack 6.35 stereo

FREQUENCY

4600HZ

WEIGHT

Head with cable	480 gr
Head + shaft + box	1340 gr
Full package	2000 gr

WARRANTY

Control Unit

Search coil, & charger

2 years parts and labour

1 year parts and labour

XI. P ACCESSORIES



Searchcoil DD High Energy 11" (27 cm)
provided with coil cover
Not suitable for ADX100



Standard Searchcoil DD 9" (22.5 cm)
provided with coil cover



Elliptical Search coil 5" x 10" (11/24cm)
provided with coil cover
Not suitable for ADX100

*Available summer 2004 :
Searchcoil DD 45x38 cm
Not suitable for ADX100*



Hipmount bag



XP T-shirt
100% cotton
Sizes M, L, XL

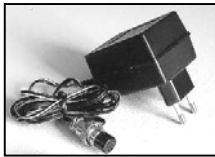


XP Cap



XP Backpack

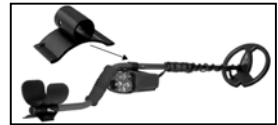
Batteries Charger
Not suitable for ADX100



Batteries
Not suitable for ADX100



- Backphone FX-01**
- Audio level adjust
 - Impedance and sound adapted to our detectors
 - 6.35 jack adaptor
 - Foldable in 3 parts



XP – 100 : optional accessory use to fix the electronic box on the shaft in front of the handle.

WARRANTY CONDITIONS

XPLORER ensures a contractual warranty from the date of the purchase.

- ▶ 24 months on the electronic box
- ▶ 12 months on the search coil, detector shaft and its components (armrest, twist lock...) and on the battery charger.

If warranty service should be necessary, the detector must be returned to the reseller, complete, with proof of purchase and a notice explaining the fault. You are responsible for the postage.

Where a faulty detector has been replaced by a new or reconditioned detector, the warranty will carry on.

This warranty (parts and labor) does not cover:

- ▶ damage due to a fall, shock or accident,
- ▶ deteriorations due to an anormal use,
- ▶ degradations due to non-respect of use conditions specified in the instruction manual, cable breakage of the search coil or of one of its conductors,
- ▶ the coil cover.

Any manipulation of the electronic circuit by an unauthorised person will lead to breach of warranty.

XPLORER reserves the right to change the characteristics or specifications of its detector without notice.



www.xpmetaldetectors.com

Web site

e-mail _____ info@xpmetaldetectors.com

XPLORER S.a.r.l. - 40 chemin du moulin - 31320 MERVILLA (France)
Fax : + 33 (0)5 61 73 48 39